

# RH HORIZONTAL PLATE CLAMPS

**\* SOLD IN PAIRS**

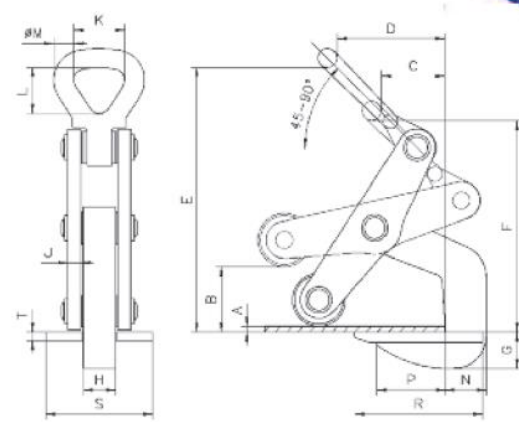


## Horizontal plate clamps

**Working load limit (WLL) 1500 - 5000kg**

This range of horizontal plate clamps have been designed to be used in pairs, for the horizontal transportation of individual, and bundled plate. The clamp is fitted with a steel roller to reduce any potential marking of the plate.

These clamps are sold, and must be used in pairs. They should always be used with a two-legged chain sling (not supplied).



Model	WLL kg*	Jaw capacity mm	A mm	B mm	C mm	D mm	E mm	F mm	G mm	H mm	J mm	K mm	L mm	M mm	N mm	P mm	R mm	S mm	T mm	Weight kg*
RH1500	1500	5 - 60	5	60	60	105	250	200	22	30	12	50	73	18	36	65	120	100	10	12
RH2500	2500	10 - 70	10	70	75	130	135	275	38	30	12	64	92	25	58	77	150	100	10	21
RH3500	3500	10 - 80	10	80	90	162	345	292	48	30	15	64	92	25	65	105	185	100	10	28
RH5000	5000	10 - 102	10	102	110	170	425	345	45	45	20	89	130	35	80	120	210	120	12	72

\*Per pair.