

LJ 'NON-MARKING' PLATE CLAMPS

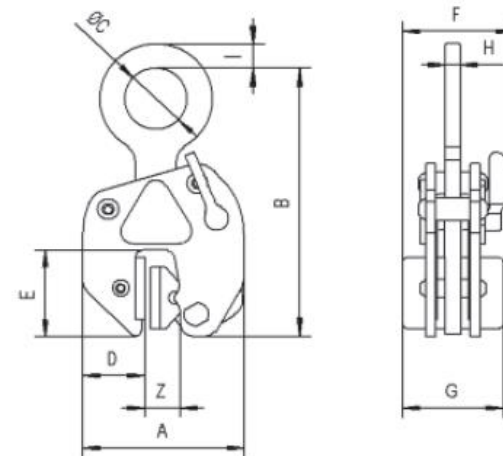


The LJ non-marking plate clamps are designed for lifting, turning and transporting of structural steel plates, stainless steel, iron, timber and aluminium without marking, damaging or leaving indentations on the surface. It can also be used for steel plates with extremely hard surfaces.

These clamps are available with two different types of pads, rubber or leather. The type to be used is dependant on the surface of the material being gripped. If you have any concerns regarding the best option for your application please contact our sales team for advice.

These plate clamps are service-friendly, making it easy to exchange parts, which are readily available.

NB: The surface of the material being gripped must be free of oil, grease to ensure safe transport.



Model	WLL	Jaw capacity	A	B	C	D	E	F	G	H	I	Weight
	kg*	mm	mm	mm	mm	mm	mm	mm	mm	mm	mm	kg*
LJ 500	25 - 500	0 - 10	127	200	50	52	69	86.5	76	13	20	3.5
LJ 1500	180 - 1500	0 - 20	215	345	85	75	135	131	118	20	24	12

*Per clamp.