

HG 'HIGH GRIP' VERTICAL PLATE CLAMPS



Vertical 'high grip' plate clamps for hardened material

Working load limit (WLL) 25 - 2000kg

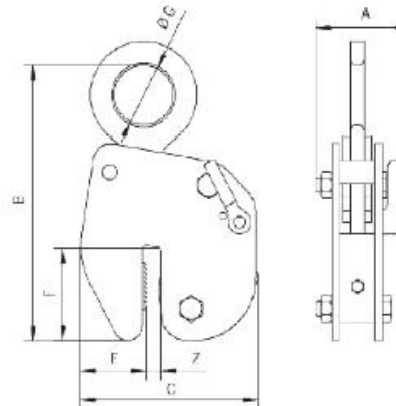
HG plate clamps have an extremely high clamping force which makes the clamps particularly suited to the transport of plate with a surface hardness up to HRC 40/Brinell 375.

Function

These clamps are opened and closed with a locking lever. The safety lock spring loads the cam jaw, preventing the clamp from opening even when there is no load on the jaw.

Workmanship and parts

These plate clamps are service-friendly, making it easy to exchange parts, which are readily available.



Model	WLL kg*	Jaw (Z) capacity mm	A mm	B mm	C mm	D mm	E mm	F mm	G mm	Weight kg*
HG500	25 - 500	0 - 10	42	230	148	10	55	79	50	5
HG1000	50 - 1000	0 - 16	93	297	210	16	75	114	67	12
HG2000	200 - 2000	0 - 20	110	416	305	20	102	159	80	22

*Per clamp.