

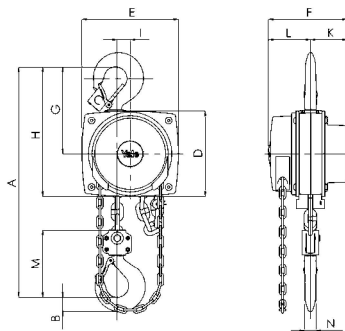
Technical data model Yalelift

Model	EAN-No. 4025092*	Capacity kg	Number of chain falls	Chain dimensions d x p mm	Lift per 1 m hand chain overhaul mm	Handle pull at WLL daN	Weight at standard lift (3 m) kg
YL 500	*288545	500	1	5 x 15	33	21	9
YL 1000	*288552	1000	1	6 x 18	20	30	13
YL 2000	*288569	2000	1	8 x 24	14	32	20
YL 3000	*941129	3000	1	10 x 30	12	38	29
YL 5000	*941143	5000	2	10 x 30	6	34	38
YL 10000	*291842	10000	3	10 x 30	4	44	71
YL 20000	*292153	20000	6	10 x 30	2	2 x 44	196

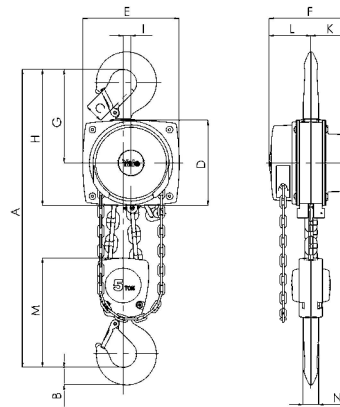


Dimensions model Yalelift

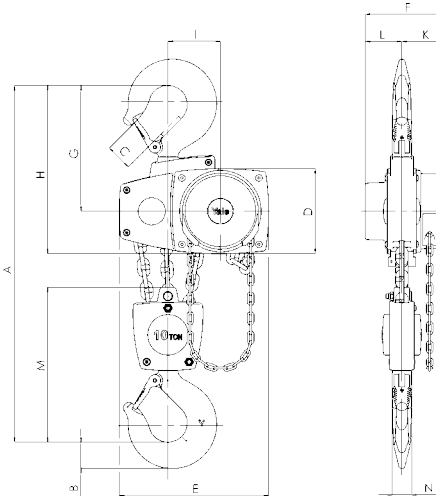
Model	YL 500	YL 1000	YL 2000	YL 3000	YL 5000	YL 10000	YL 20000
A min., mm	300	335	395	520	654	825	1065
B, mm	17	22	30	38	45	68	85
C, mm	24	29	35	40	47	68	64
D, mm	133	156	182	220	220	220	303
E, mm	148	175	203	250	250	383	555
F, mm	148	167	194	219	219	219	250
G, mm	139	164	192	225	242	326	391
H, mm	206	242	283	335	352	436	501
I, mm	24	24	31	34	21	136	-
K, mm	61	70	83	95	95	95	396
L, mm	87	97	111	124	124	124	125
M, mm	110	125	156	178	285	401	471
N, mm	14	19	22	30	37	50	56



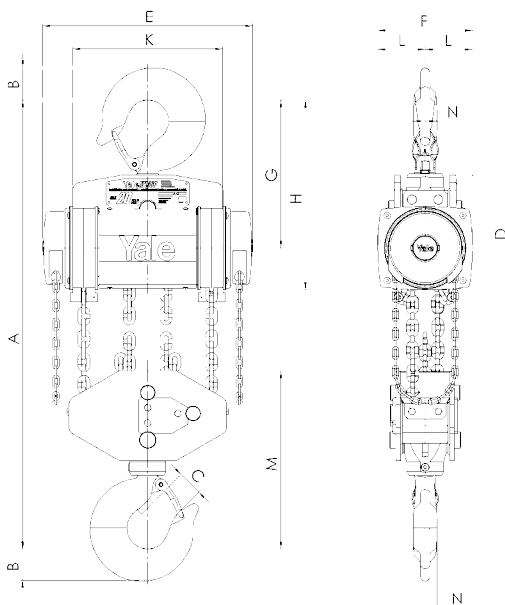
Model Yalelift 360, 500 - 3000 kg, single fall



Model Yalelift 360, 5000 kg, double fall



Model Yalelift 360, 10000 kg, three fall



Model Yalelift 360, 20000 kg, six fall